

/ Perfect Welding / Solar Energy / Perfect Charging



# FLEXTRACK 45 PRO WELDING CARRIAGE

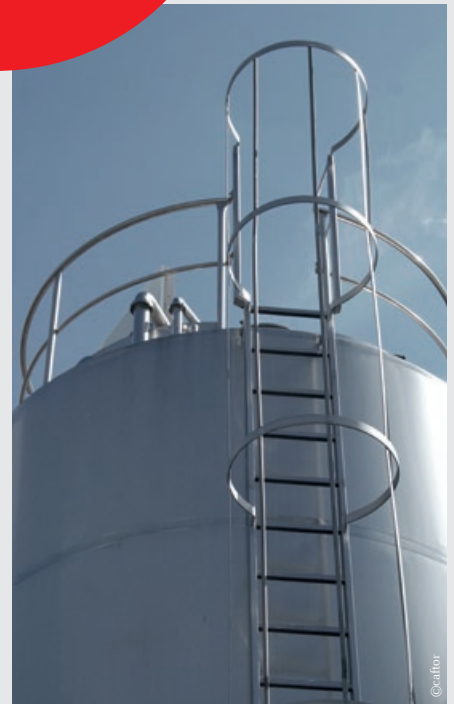
For linear seams and orbital applications  
Welding process: MIG/MAG CMT

# LINEAR SEAM OR ORBITAL. STEEL GIRDER OR TANK. PERFECT SEAMS WITH FLEXTRACK.

Whether on the construction site or in the factory, in bridge and steel construction, boiler, container, ship, rail vehicle or crane construction – the FlexTrack 45 Pro lends a consistently high and reproducible quality to both MIG/MAG and CMT processes.

What's your welding challenge?

Let's get connected.

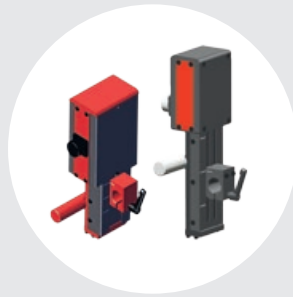


Versatile

Modular

Convenient





#### MOTORISED SLIDES

Automatic adjustment of the distance between the welding torch and the workpiece (control of the arc length - ACC)



#### TORCH OSCILLATION UNIT

- Linear for butt welds  
- Radial for fillet welds



#### SEAM TRACKING

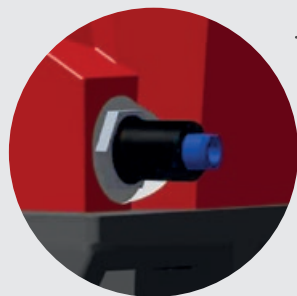
Mechanical horizontal & vertical seam tracking.



#### TORCH

Five different welding torches are compatible:

- Multilock
- Robacta
- Robacta Drive
- CMT Drive
- Manual torch



#### LIMIT SWITCH

Fitted to both sides of the carriage for automatic stopping or changing of direction.



#### BRIDGES

- Magnetic bridge with fixing lever
- Vacuum bridge
- Bridge with adjustable foot

#### COUPLING ON/OFF

Allows rapid manual positioning of the carriage.

# FLEXTRACK 45 PRO SYSTEM AND HIGHLIGHTS

Compact, robust, flexible.  
For use under tough conditions.

Quick and easy assembly.

Various rail configurations.

Optional with torch oscillation unit or module to control the arc length (ACC).

Constant welding speed.

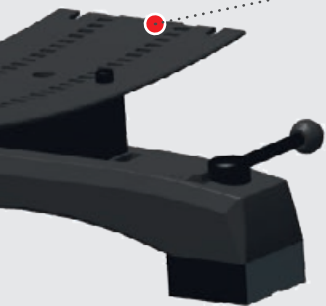
Compatible with the latest generation of TPS/i power sources.



## RAILS

Three different rail types are available:

- Flexible rails
- Straight rails
- Ring rails



## REMOTE CONTROL BASIC & PRO

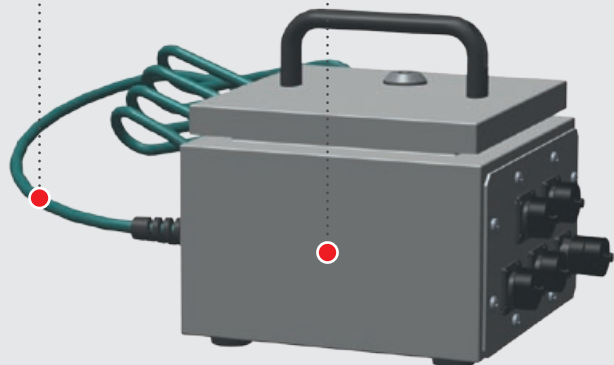
With magnetic holder for securing  
to magnetic materials.

## MAINS CABLE

- 230 V, 50-60 Hz
- 115 V, 50-60 Hz

## CONTROL BOX

Carriage and remote  
control are connected to  
the control box.





# REMOTE CONTROL BASIC/PRO

## FUNCTIONAL OVERVIEW

- / Touchscreen and function dial (FRC-45 PRO only)
- / Choice of languages: DE, EN, ES, FR (FRC-45 PRO only)
- / Welding mode (with/without arc)
- / Communication with TPS/i power sources
- / Setting of power source parameters (FRC-45 PRO only)
- / Direction of travel
- / Travel speed
- / Offset
- / Oscillation mode
- / Oscillation speed
- / Oscillation path
- / Dwell time
- / End-crater filling
- / Monitoring the arc length (ACC)
- / Linear seam and orbital segment welding



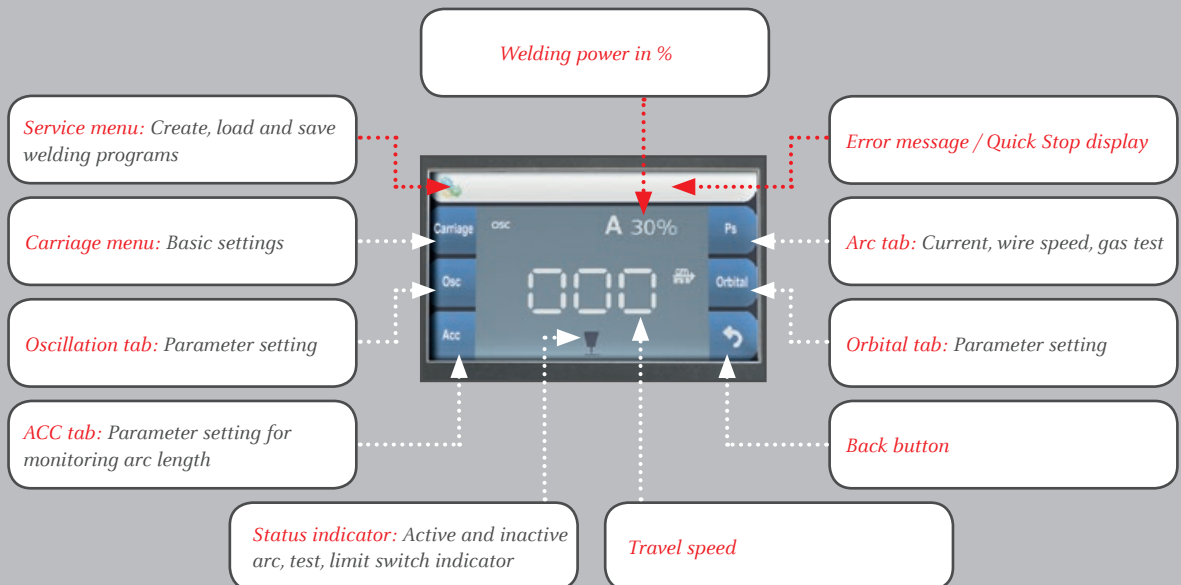
FRC-45 BASIC



FRC-45 PRO

# REMOTE CONVENIENCE

## FRC-45 PRO





# EFFICIENT WELDING WITH TPS/i POWER SOURCES

The innovative high-speed system architecture makes for more precise measuring, analysis and monitoring of the arc. Customers benefit from an extremely low-spatter dip transfer arc process, a quick and safe pulse welding process, perfect ignition, even penetration and much more. In short: welding is more stable, cleaner and quicker.



## AUTOMATIC COMPONENT RECOGNITION PLUG & WELD

Simply plug in with no tools and the power source immediately recognises all available components. It will flag incompatibles if they occur.

## HIGH-SPEED COMMUNICATION SPEEDNET

A high-speed bus allows for an internal system network that guarantees a 200 times faster communication between system components. This makes the welding process easier to analyse and control.

## UNRIVALLED SPLATTER PREVENTION LOW SPATTER CONTROL (LSC)

Particularly low-spatter dip transfer arc process, even with long hosepacks.

## IMMENSELY IMPROVED DROPLET DETACHMENT PULSE MULTI CONTROL (PMC)

Exceptional stability and consistent penetration, even at high welding speeds.

## EASY UPGRADE

The easiest upgrades with a USB flash drive or via the internet. For new welding processes, characteristics, applications, firmware updates, etc.

## FUTURE ON BOARD

With upgrade functions and high-quality hardware, the TPS/i guarantees 'state-of-the-art' welding processes for years to come.

## REMOTE SERVICE

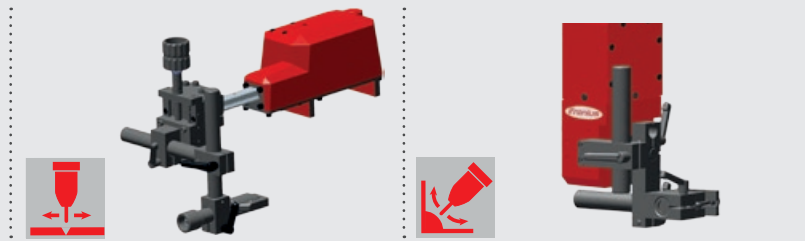
Remote maintenance and system analysis via the internet.

# OPTIONS/ADD-ONS/ACCESSORIES

## TORCH OSCILLATION UNITS (OSC MODULES)

Two different oscillation modules are available, which can be operated in four different oscillation modes. Both the linear and the radial oscillation modules can be used as left-hand or right-

hand versions, depending on the application. Due to the modular design of the carriage, it is possible to add or change the desired oscillation module in just a few steps.



OSC MODULE	FOU 30/ML10 LINEAR OSCILLATION UNIT	FOU 30/ML6 RADIAL OSCILLATION UNIT
Oscillation speed	5 - 400 cm/min	20 - 120 cm/min
Oscillation path	2 - 30 mm	1 - 30 mm
Offset	0 - 50 mm	0 - 50 mm
Dwell time	0 - 3 seconds	0 - 3 seconds
Max. load	10 kg	6 kg
Unladen weight (without welding torch holder)	3.2 kg	3.6 kg
Degree of protection	IP 23	IP 23
Oscillation modules		

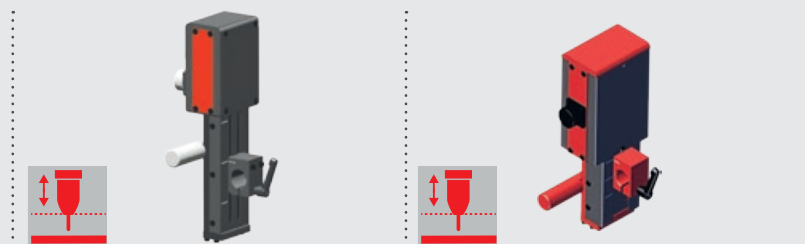
## MONITORING THE ARC LENGTH (ACC MODULES)

The ACC module (Arc Current Control) is used for automatic distance control of the welding torch to the workpiece\*. The main advantage of this is that the best welding results can be achieved,

even on uneven surfaces or with guide rails that are not precisely centrally mounted.

*\* ACC function only works with steel components, not aluminium materials.*

*When using the TPSi power source including PMC and LSC, the penetration and arc stabilizer functions must be deactivated.*



ACC MODULE	FMS 100/ML15/SE/ACC	FMS 50/ML15/SE/ACC
Traversing speed (automatic)	30 cm/min	30 cm/min
Traversing speed (manual)	100 cm/min	100 cm/min
Travel path	5 - 100 mm	Max. 50 mm
Dwell time	1-60 s	1-60 s
Degrees of sensitivity	1 - 9	1 - 9
Control voltage/power consumption	24 VDC/8 W	24 VDC/8 W
Max. load	15 kg	15 kg
Unladen weight	2.45 kg	2 kg
Degree of protection	IP 23	IP 23



## TROLLEY FOR WIREFEEDER

- / For use on rigid rails in PA position
- / For holding the VR 4000, VR 5000 or WF25i wirefeeder

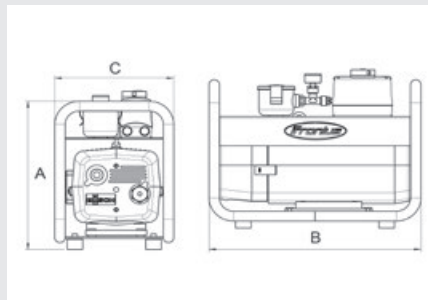


## VACUUM PUMP FOR VACUUM BRIDGES

- / Dry-running, oil-free, rotary vane vacuum pump
- / Enough suction for up to 13 vacuum bridges
- / Direct-on-line starter
- / Suction filter and pressure manometer
- / Mains cable with plug (5 m)

### VACUUM PUMP

Max. pumping capacity	25 m <sup>3</sup> /h
Final pressure	120 mbar
Mains voltage 50 - 60 Hz	3 x 200 - 240 / 346 - 420 V
Power consumption	900 W
Mains cable with plug	5 m
A (height)	406 mm
B (length)	547 mm
C (width)	307 mm
Unladen weight	31 kg
Degree of protection	IP 23

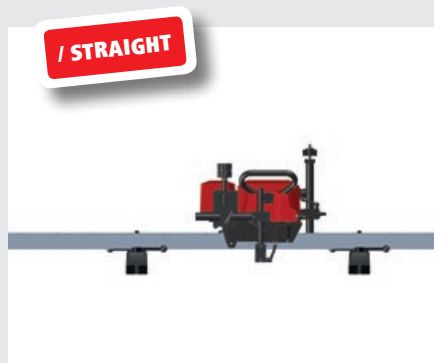


## TRANSPORT CASE

- / Robust and convenient plastic housing
- / Foam insert to protect the carriage
- / Rollers for convenient transport

# RAIL SYSTEMS

There are three different rail configurations to choose from, depending on the application: flexible, straight and ring (orbital). The carriage is quick and easy to install in every configuration; only the guide rollers need to be adjusted.



## FLEXIBLE RAILS

Rails for components with flat or curved surfaces with an inner radius of at least 1500 mm and an external radius of at least 1100 mm.



Three rail lengths: 1130/1695/1884 mm

## STRAIGHT RAILS

Straight, rigid rails with aluminium profiles for vertical or horizontal use.



Rail length: 1884 mm

## RING RAILS

- 1 Ring rails from flexible segments.  
For internal and external pipe welding.



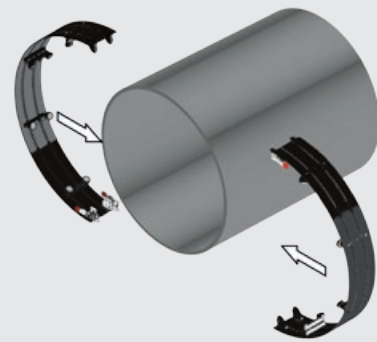
Component diameter of 1560 - 6060 mm

- 2** Ring rails from ring segments with straight aluminium profiles.  
 The rail segments are equipped with quick clamps for speedy assembly. Eight segment versions are available.



Component diameter of 200 - 1560 mm

- 3** Ring rails from ring segments with a fixed radius.  
 Pre-contoured rail segments with pre-fitted bridge elements and quick-clamping system are especially quick and easy to attach to the component.

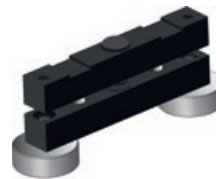


Component diameter of 254 - 1778 mm

## ASSEMBLY BRIDGES

RING SEGMENTS  
FIXED RADIUS

### MAGNETIC BRIDGE



Magnetic bridges for ring segments with a fixed radius for mounting on ferritic components. Height adjustment: 10 mm.

### SPRING HOLDER



Spring pressure spacer for ring segments with a fixed radius. Can also be used with non-ferritic components.

FLEXIBLE BRIGID  
RAILS

### MAGNETIC BRIDGE



For ferritic components. Heat-resistant up to 180 °C. The magnetic force is controlled by a lever.

### VACUUM BRIDGE



Components with a smooth surface such as aluminium or stainless steel. Operating temperature of 0 °C to 120 °C (optional from -30 °C to 250 °C).

### BRIDGE WITH ADJUSTABLE FOOT



For rigid rings with a diameter up to 840 mm.

## TECHNICAL DATA

### FLEXTRACK 45 PRO

#### CARRIAGE

Welding position	PA, PB, PC, PE, PG
Material thickness	min. 4 mm
Traversing speed, horizontal	5 - 300 cm/min
Traversing speed, vertical	5 - 250 cm/min
End-crater filling time	0 - 5 seconds
Max. load, horizontal/vertical	45/30 kg
Weight (without torch holder)	8.5 kg
Degree of protection	IP 23
Operating temperature	0 - 50 °C

#### CONTROL BOX

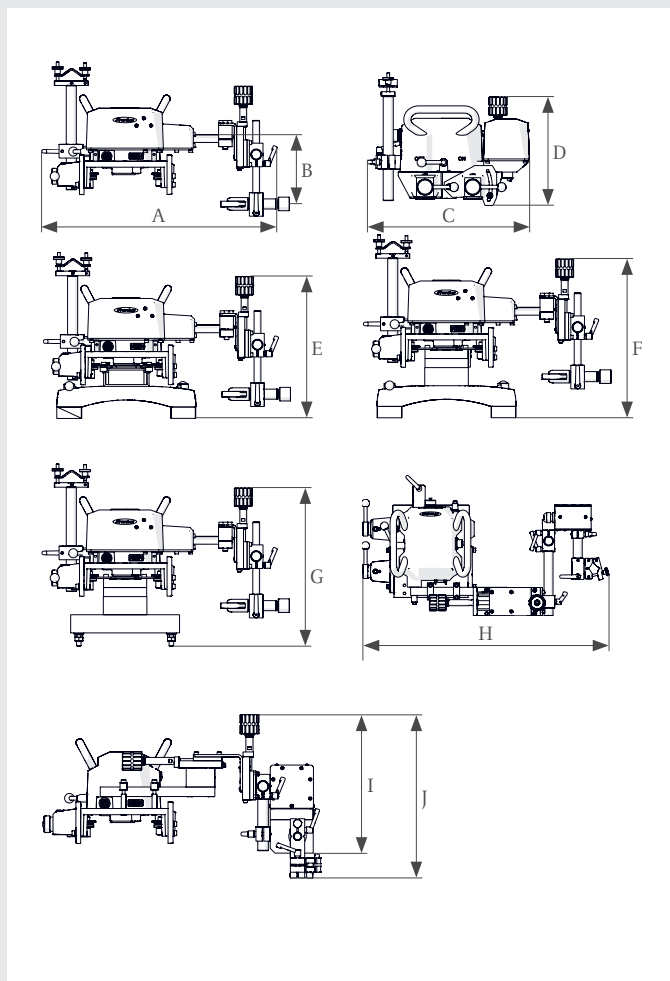
Supply voltage 50 - 60 Hz	115/230 V
Supply voltage	24 V DC
Weight (without cable)	4.5 kg
Degree of protection	IP 23

#### REMOTE CONTROL

Cable length	10 m
Weight (without cable)	1.5 kg
Degree of protection	IP 23
Operating temperature	0 - 50 °C

#### DIMENSIONS

A (with linear oscillation unit)	469 - 556 mm
(without linear oscillation unit)	452 - 542 mm
B (with linear oscillation unit)	56 - 240 mm
(without linear oscillation unit)	80 - 263 mm
C (with linear oscillation unit)	357 mm
(without linear oscillation unit)	342 mm
D (with linear oscillation unit)	239 mm
(without linear oscillation unit)	270 mm
E (overall height with straight, rigid rails)	313 mm
F (overall height with magnetic bridge)	310 - 408 mm
G (overall height with adjustable foot bridge)	310 - 408 mm
H (with radial oscillation unit)	543 - 653 mm
(without radial oscillation unit)	452 - 542 mm
I (with radial oscillation unit)	191 - 311 mm
(without radial oscillation unit)	80 - 263 mm
J (with radial oscillation unit) L (height)	243 - 363 mm



/ Perfect Welding / Solar Energy / Perfect Charging

## DREI BUSINESS UNITS, EINE LEIDENSCHAFT: TECHNOLOGIE, DIE MASSSTÄBE SETZT.

Was 1945 als Ein-Mann-Betrieb begann, setzt nun in den Bereichen Schweißtechnik, Photovoltaik und Batterieladen technologische Maßstäbe. Heute sind wir mit rund 3.800 Mitarbeitern weltweit tätig, und 1.242 erteilte Patente für Produktentwicklungen machen den innovativen Geist im Unternehmen deutlich. Nachhaltige Entwicklung heißt für uns, umweltrelevante und soziale Gesichtspunkte gleichberechtigt mit wirtschaftlichen Faktoren umzusetzen. Dabei hat sich unser Anspruch nie verändert: Innovationsführer sein.

Weitere Informationen zu allen Fronius Produkten und unseren weltweiten Vertriebspartnern und Repräsentanten erhalten Sie unter [www.fronius.com](http://www.fronius.com)

v08 Aug 2017 DE

Fronius Schweiz AG  
Oberglatterstrasse 11  
8153 Rümlang  
Schweiz  
Telefon 0848 FRONIUS (37 66 487)  
Gratisfax 0800 FRONIUS (37 66 487)  
[sales.switzerland@fronius.com](mailto:sales.switzerland@fronius.com)  
[www.fronius.ch](http://www.fronius.ch)

Fronius Deutschland GmbH  
Am Stockgraben 3  
36119 Neuhof-Dorfborn bei Fulda  
Deutschland  
Telefon +49 6655 916 94-0  
Telefax +49 6655 916 94-30  
[sales.germany@fronius.com](mailto:sales.germany@fronius.com)  
[www.fronius.de](http://www.fronius.de)

Fronius International GmbH  
Vertrieb Österreich:  
Froniusplatz 1  
4600 Wels  
Österreich  
Telefon +43 7242 241-0  
Telefax +43 7242 241-953490  
[sales.austria@fronius.com](mailto:sales.austria@fronius.com)  
[www.fronius.at](http://www.fronius.at)

Fronius International GmbH  
Froniusplatz 1  
4600 Wels  
Österreich  
Telefon +43 7242 241-0  
Telefax +43 7242 241-953940  
[sales@fronius.com](mailto:sales@fronius.com)  
[www.fronius.com](http://www.fronius.com)